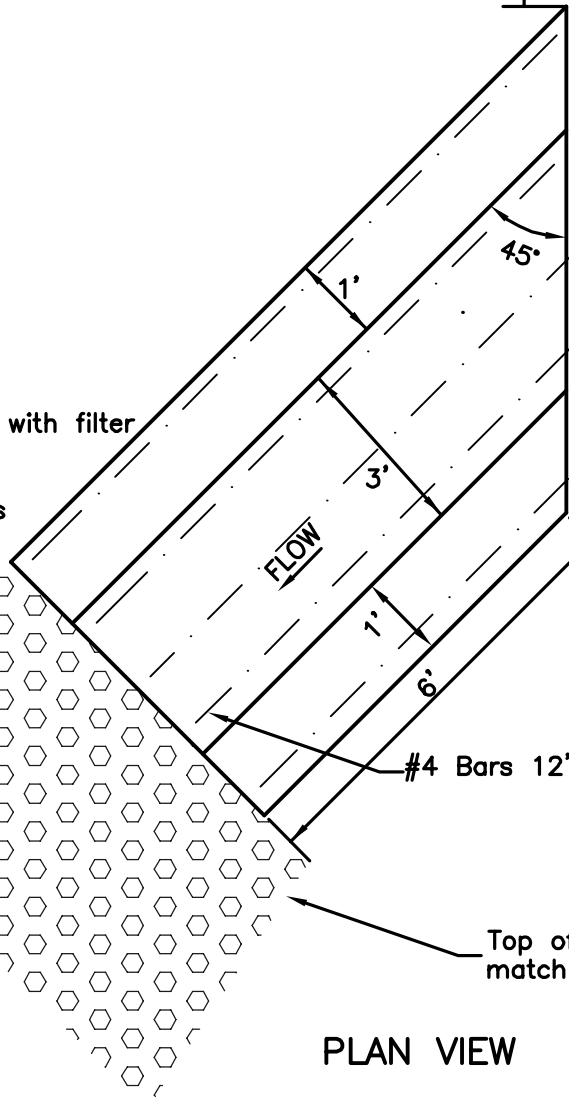


Class III riprap with filter fabric extent of riprap as shown on plans



Depress 3" below gutter grade  
 1/2" Expansion joint  
 #4 Bars 12" O.C.  
 Top of riprap to match finish grade

PLAN VIEW

CONCRETE SPILLWAY HL-396B  
 NOT TO SCALE