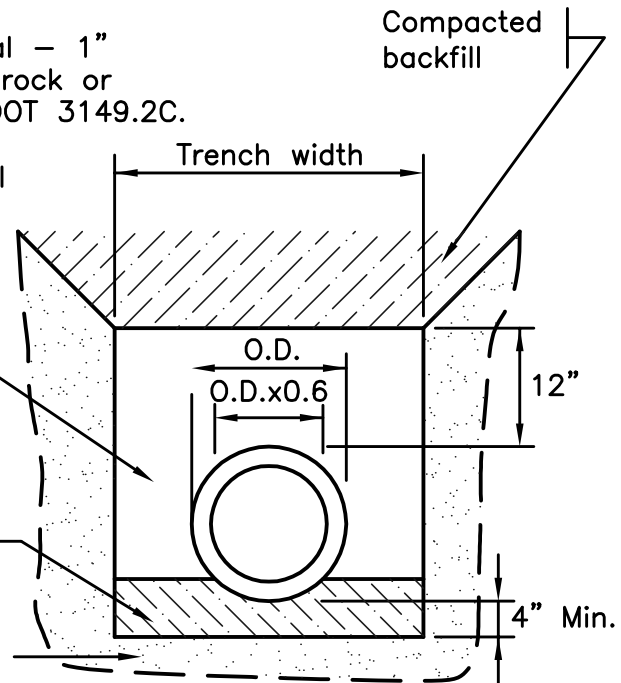


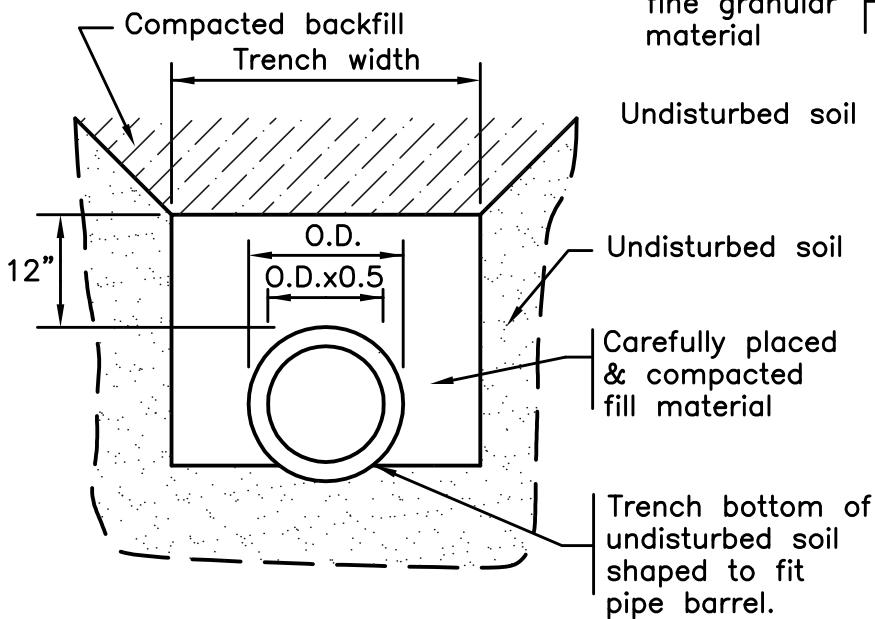
**CLASS B or
FIRST CLASS BEDDING**

Compacted backfill
 Compacted select granular material
 Springline
 Bedding material – 1" minus crushed rock or gravel, per MnDOT 3149.2C.
 Undisturbed soil



**CLASS B
MODIFIED BEDDING**

Fill material compacted
 Compacted fine granular material
 Undisturbed soil



**CLASS C or
ORDINARY BEDDING**

Undisturbed soil
 Carefully placed & compacted fill material
 Trench bottom of undisturbed soil shaped to fit pipe barrel.

NOTE:

Working space on each side of pipe shall be not less than 12", or one third (1/3) the inside diameter of the pipe, but not exceed 24" each side of the pipe. If the trench width exceeds this maximum, the contractor shall furnish and install a better grade of bedding material or a higher class of pipe as required for the actual trench width at no extra cost to owner. See specifications.

PIPE BEDDING EXCEPT PVC PIPE HL-652C

NOT TO SCALE