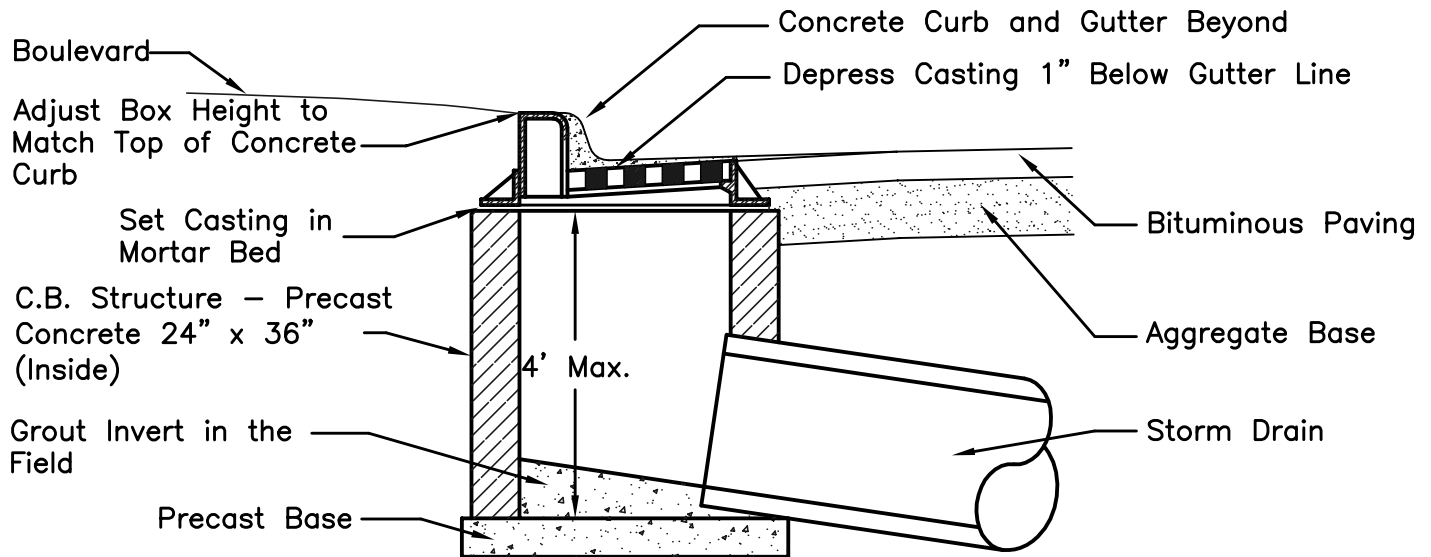


CATCH BASIN PLAN



SECTION A-A

NOTE:

1. 2 Min., 3 Max. Adjustment Rings
2. Stagger on the adjustment rings not to exceed 3/4 inch total.

RECTANGULAR CATCH BASIN HL-459B

NOT TO SCALE