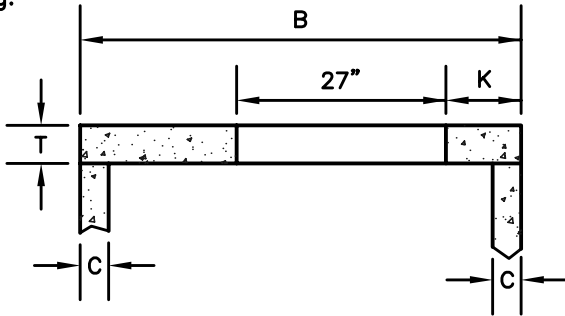
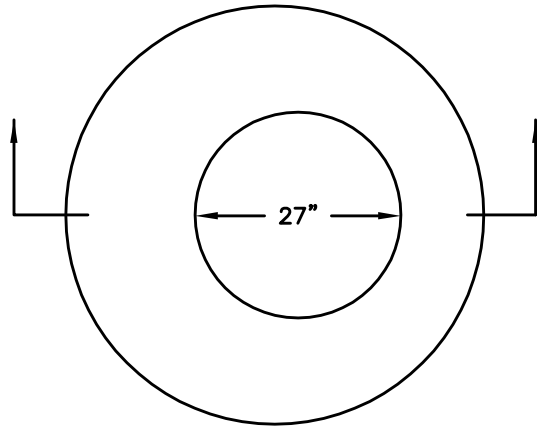


NOTE:
 HS20 Roadway loading catch basin cover slab of
 precast reinforced concrete with round
 opening.



SECTION A-A

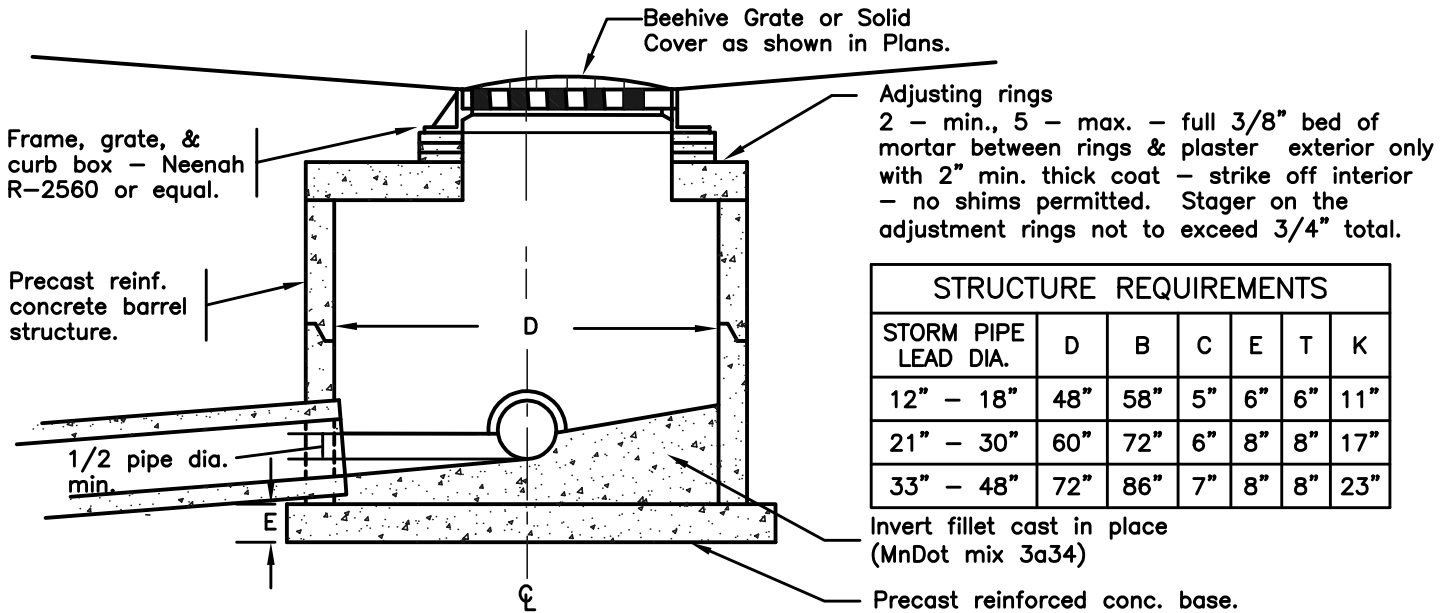


PLAN OF COVER SLAB

Location of structure
 as shown in plans.

Note:
 Steps needed for structure height
 greater than 4'.

Cover slab to rest on bed of mortar on
 full thickness of structure walls
 Not to rest on pipe tongue or groove.



SECTIONAL VIEW

STRUCTURE REQUIREMENTS						
STORM PIPE LEAD DIA.	D	B	C	E	T	K
12" - 18"	48"	58"	5"	6"	6"	11"
21" - 30"	60"	72"	6"	8"	8"	17"
33" - 48"	72"	86"	7"	8"	8"	23"

Invert fillet cast in place
 (MnDot mix 3a34)
 Precast reinforced conc. base.

MnDot Spec. ref. 2506, Plate ref. 4020

ROUND INLET FOR ROUND MANHOLE HL-465C1

NOT TO SCALE